

Voyager[®]

VCCYL35 - Color (NTSC) Cylindrical Observation Camera



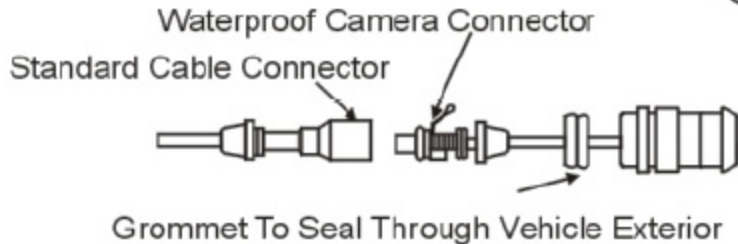
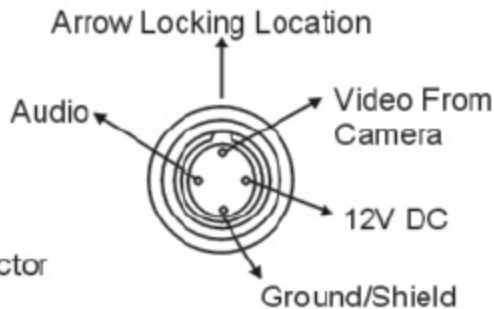
Features:

- High-Resolution, 1/3" Color CCD
- Electronic Iris
- Inverted (Mirrored) Image Orientation
- Waterproof Design
- Compact Aluminum Housing
- Easy Mounting

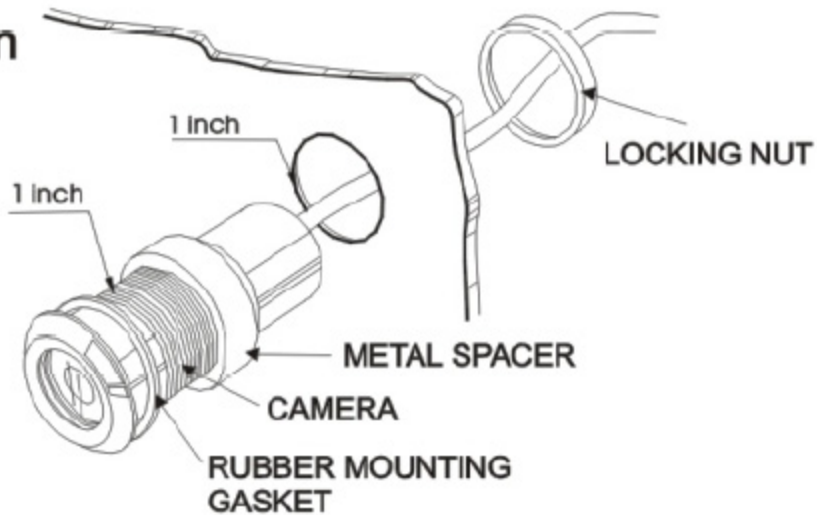
Contents:

- Camera
- Locking nut
- Metal Spacer
- Rubber Mounting Gasket

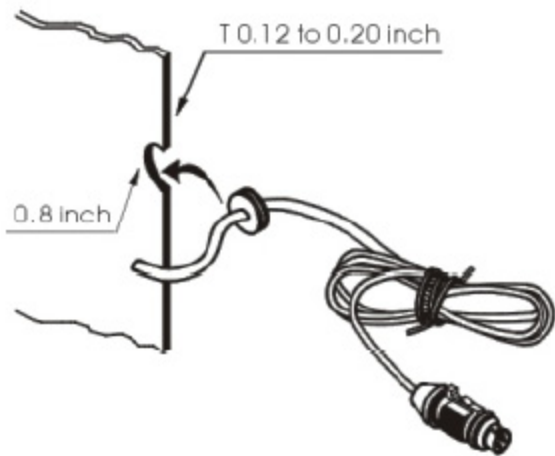
Installation and Pin Out:



Installation



Recommended grommet Hole & Mtg. thickness



Specifications

Signal System	: NTSC
Image Sensor	: 1/3" Color Cylindrical Observation Camera 270K pixels
Power	: 12VDC / 200mA
Viewing Angle	: 93°(H), 68°(V), 120°(D)
Outer Dimensions	: Ø 30 (W) X 55 (D) mm Ø 1.2 (W) X 2.2 (D) Inch
Weight	: 134g

* Specifications are subject to change without notice.

ASA

AUDIOVOX SPECIALIZED APPLICATIONS, L.L.C.

www.asaelectronics.com